

## Flexible Couplings - For NC & CNC Machines



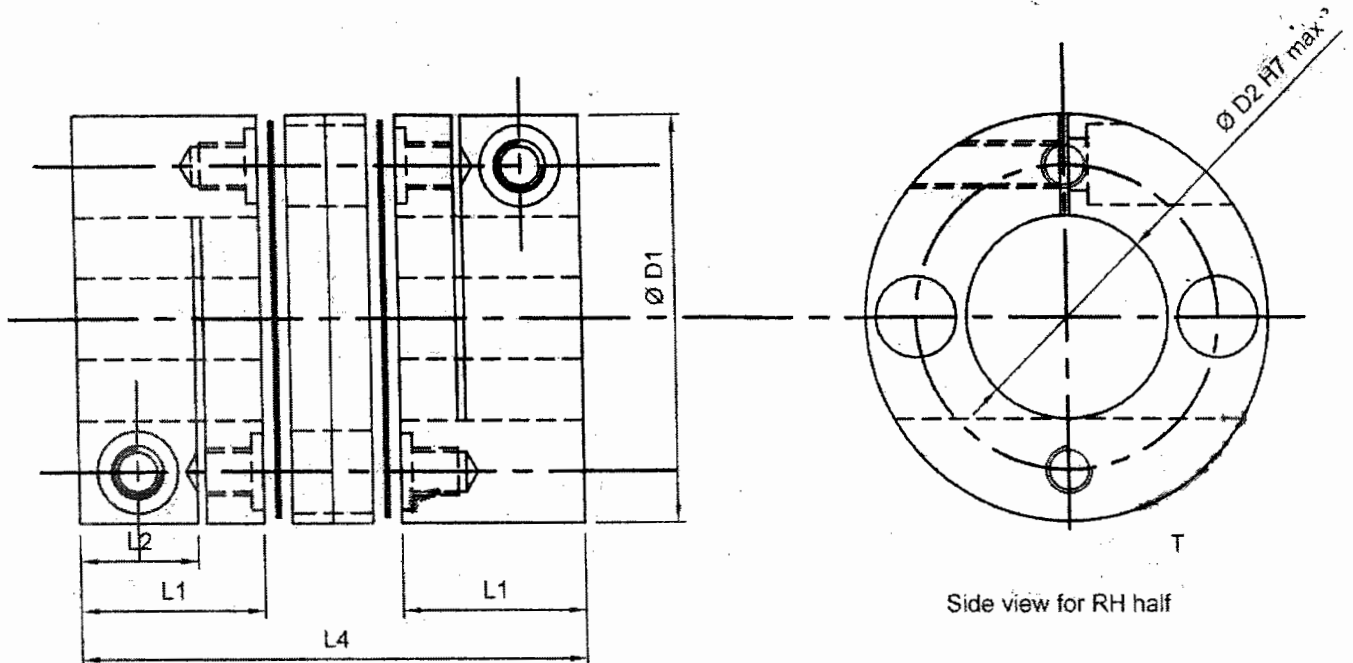
V.V. MUJUMDAR & ASSOCIATES



### Flexible Coupling Lamina type

- High Torsional rigidity.
- High misalignment compensation.
- Lightweight & compact.
- Max. rpm. upto 8000 rpm as standard.
- Rated torque upto 180 Nm.
- Used in CNC Machines for Precise Transmission.

# Lamina Coupling For CNC Machines



MODEL NO	OD -0.03 -0.06	MAX BORE H7	WIDTH L1	CLAMPING WIDTH	CLAMPING BOLT	TOTAL LENGTH	RATED TORQUE CAPACITY
	D1	D2	L1	L2	T	L4	Nm
A	26	10	12	7	m2.5	34	2.5
B	35	15	16	10.5	M5	44	7.5
C	47	20	21	11.5	m6	55	20
D	59	25	24	14.5	M6	68	30
E	70	35	32	20.5	m8	88	60
F	84	40	35	21.5	m10	98	100
G	104	55	40	26.5	m10	116	180

MAX TORQUE IS TWICE THE RATED TORQUE



**V.V. MUJUMDAR & ASSOCIATES**

A-61, FF Pavana Industrial premises Co-op society,  
T-204 MIDC, Bhosari, Pune - 411 026  
Tel/Fax : 0091 20 27129820